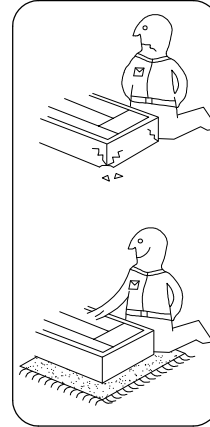
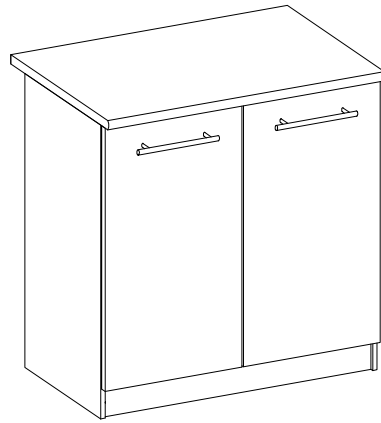
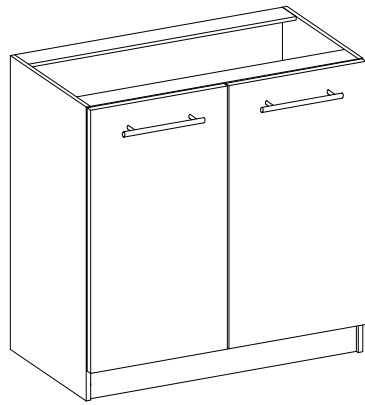
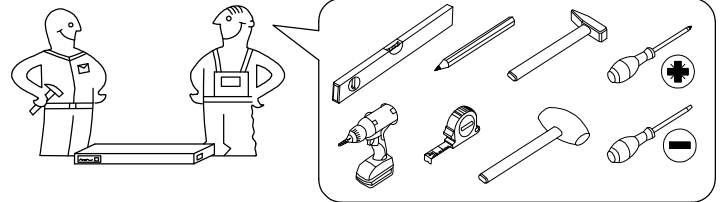
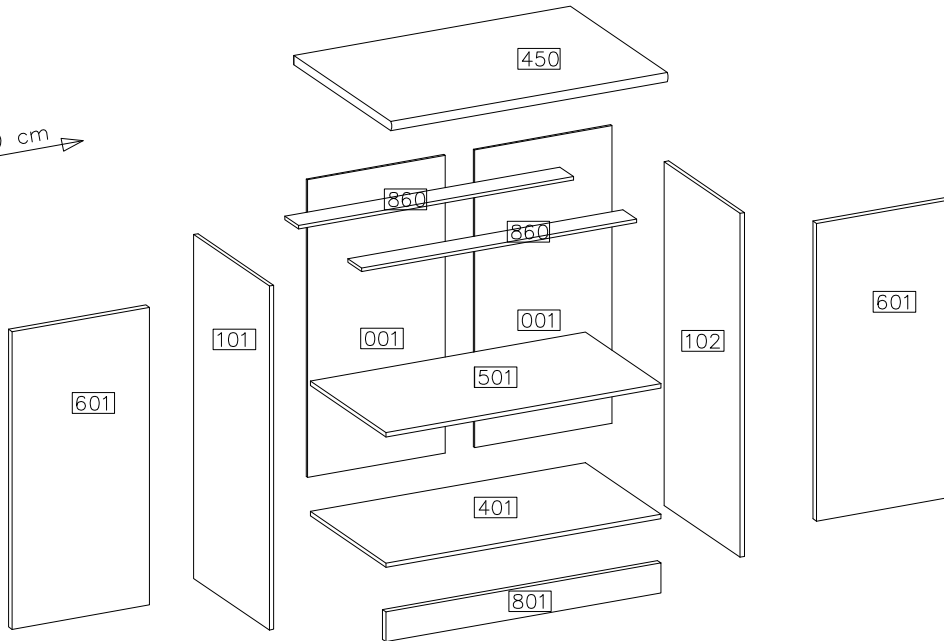
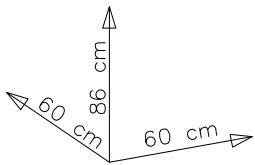
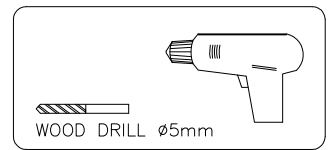
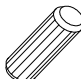






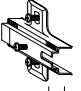
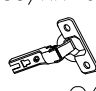


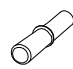

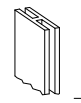


INEZ D60D

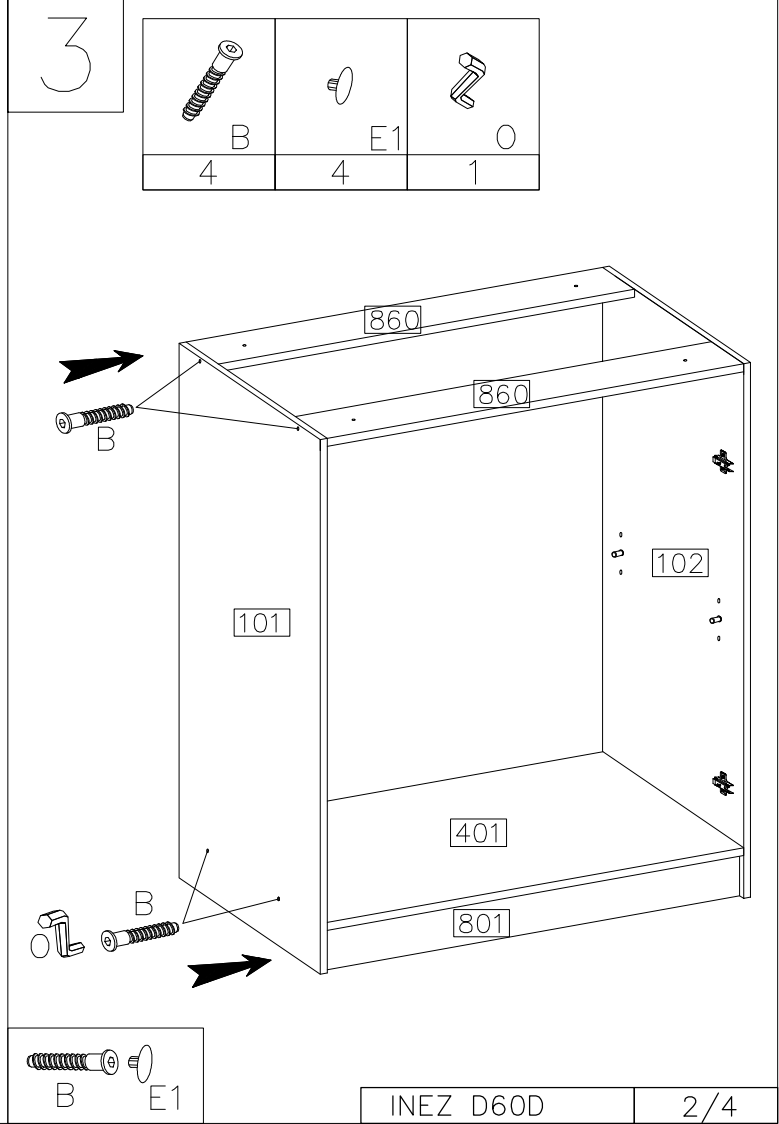
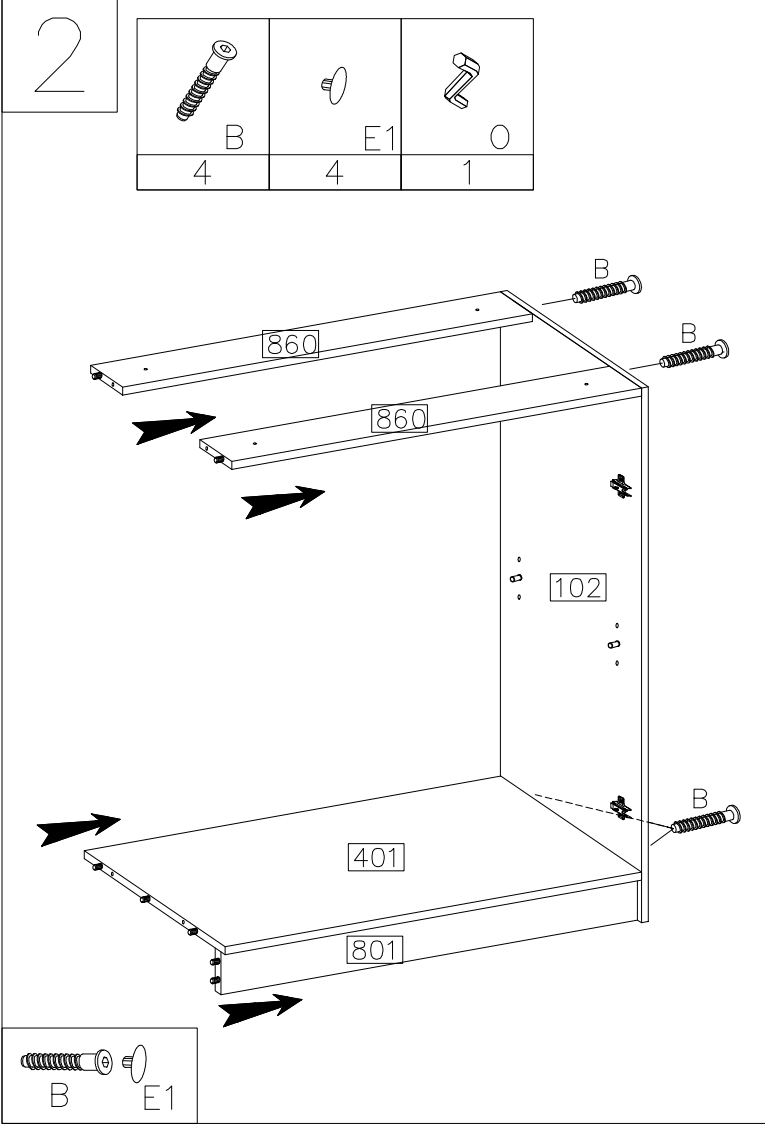
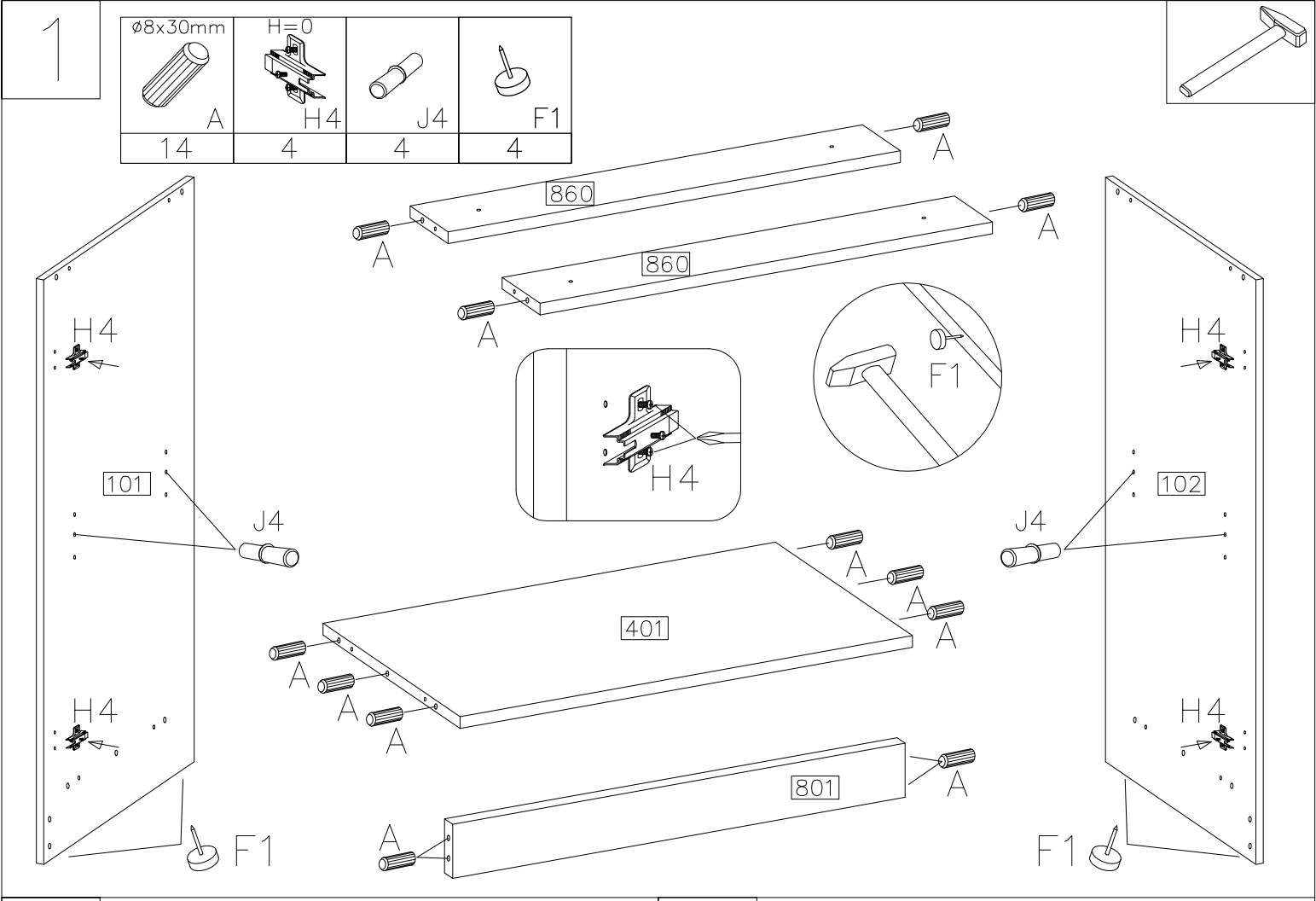


#	ART. NR	QUANTITY
1	450	1
2	401	1
3	101	1
4	102	1
5	501	1
6	001	2
7	860	2
8	801	1
9	601	2





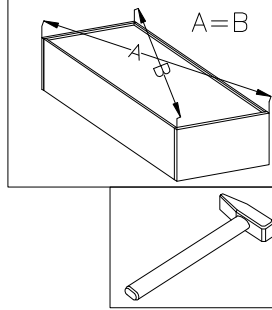
\varnothing 8x30mm  A	 B	 E1	 O	 F10	 S1	M4.0x23mm  R2
14	8	8	1	40	2	4
H=0  H4	\varnothing 35/KR-0  G6	4.0x16mm  P1	\varnothing 3.5x30mm  R8	 J4	 F1	 Z1
4	4	8	4	4	4	1






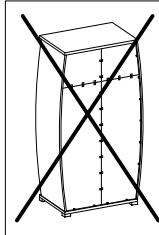
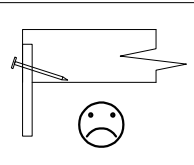
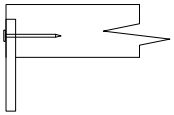
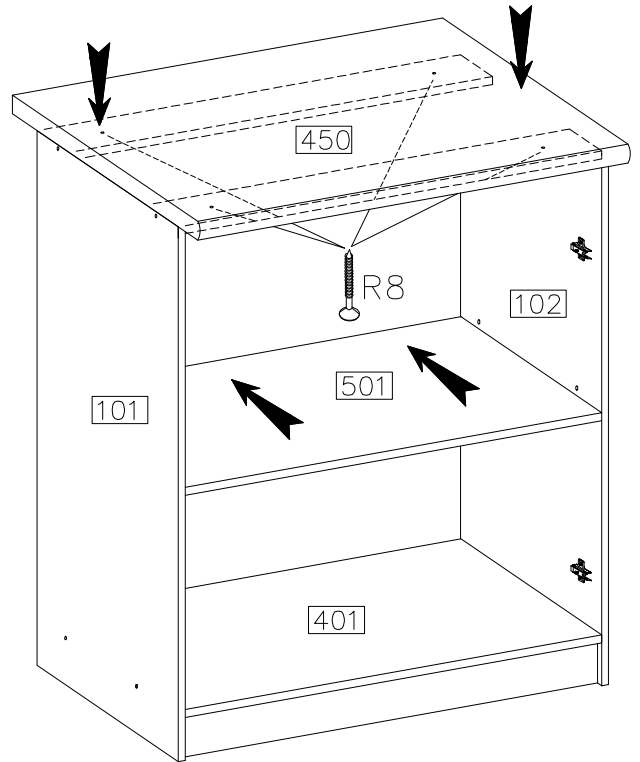
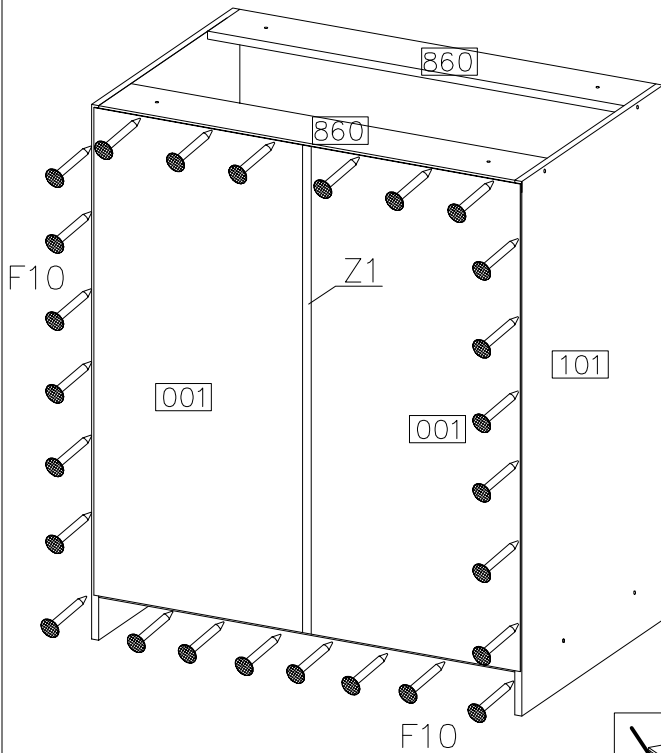
4

	
F10	Z1
40	1

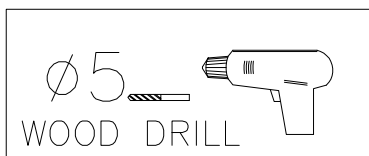
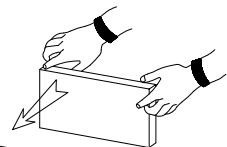
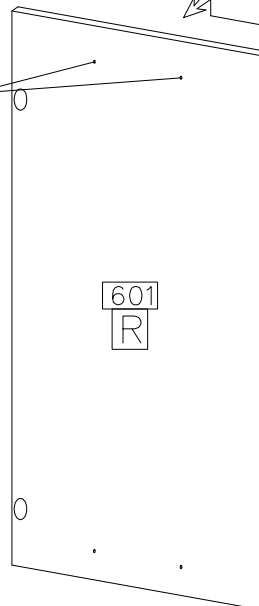
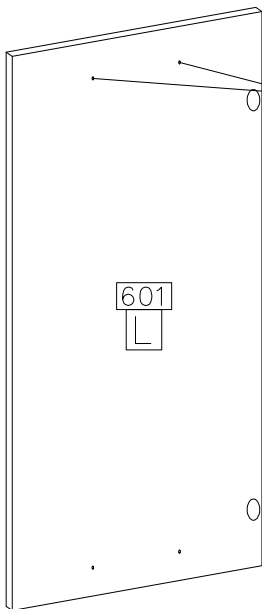
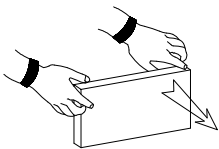


5



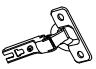

ø3.5x30mm
R8
4

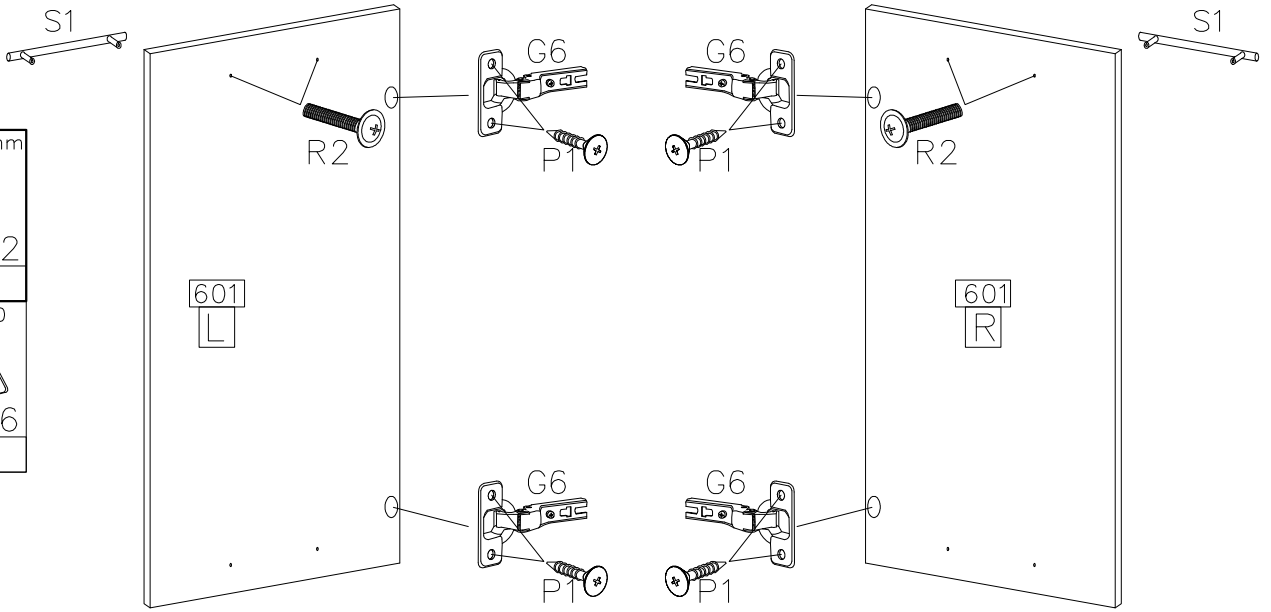


6



7

	M4.0x23mm
S1	R2
2	4
4.0x16mm	ø35/KR-0
	
P1	G6
8	4



8

